

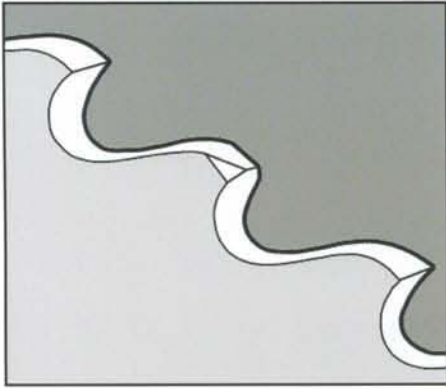


TEMPO *ChampTower 630*
CNC Saw Blade Chamfering Machine

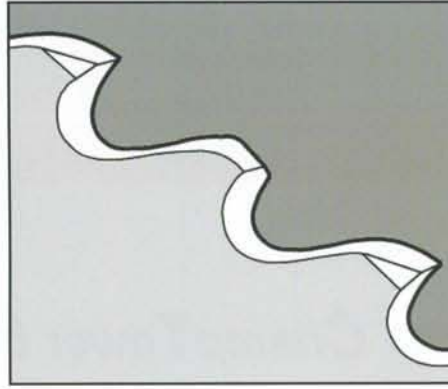


Productdesign-duodesign

For lateral chamfering (bevelling)



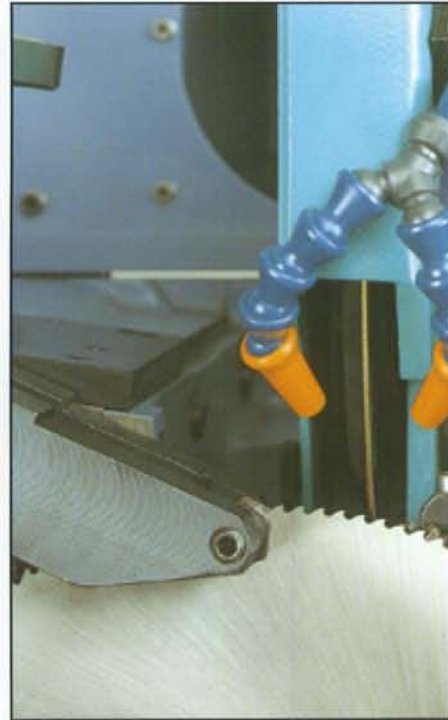
Double-sided chamfering
(tooth form C / triple chip)



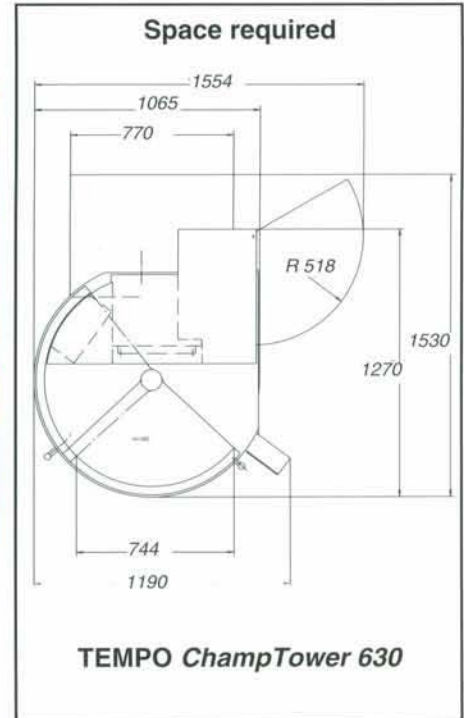
Alternate chamfering
(tooth form Bw, Aw)



Clear and ergonomic control panel



Chamfering with CBN-grinding wheels
and high pressure cooling system



CNC Chamfering Machine

TEMPO ChampTower 630 for lateral chamfering (beveling) of the teeth on metal cutting circular saw blades with tooth forms Aw, Bw or C in accordance with DIN 1840

Features:

- Automatic adjustment of saw blade to center line of machine
- High surface quality using CBN-grinding wheels with high pressure cooling system
- Chamfering of Vario-pitch tooth
- Compensation of wobble by hydraulic clamping at the grinding point

Technical Data

TEMPO ChampTower 630

Saw blade diameter	mm	60 - 630
Saw blade thickness max.	mm	8
Tooth pitch	mm	3 - 35
Indexing speed	teeth / min	10 - 60
Power required	kW	6
Weight net / gross	kg	1500 / 1700



**August Heinr. Schmidt
Transportanlagen GmbH**

Kruppstr. 5
D-71254 Ditzingen

Tel: +49-7156-17827-0
Fax: +49-7156-17827-150
info@schmidt-tempo.com
www.schmidt-tempo.com

We reserve the right to make modifications! **Further technical information on request**